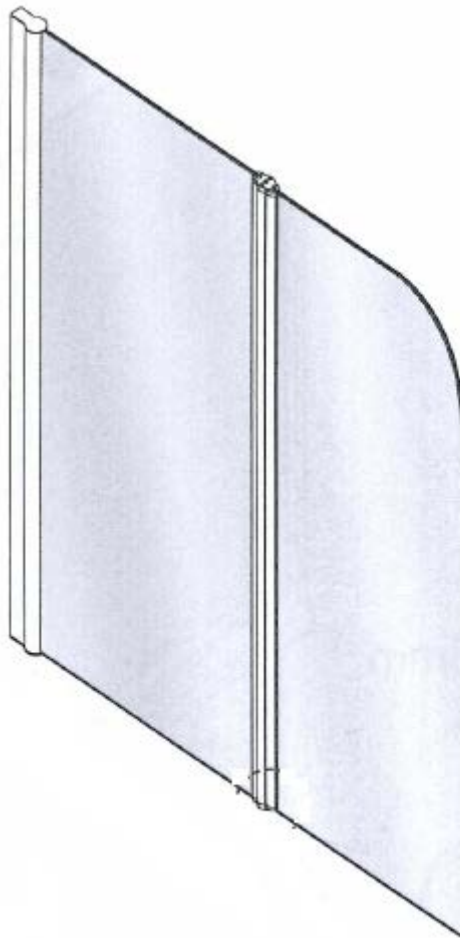


interform

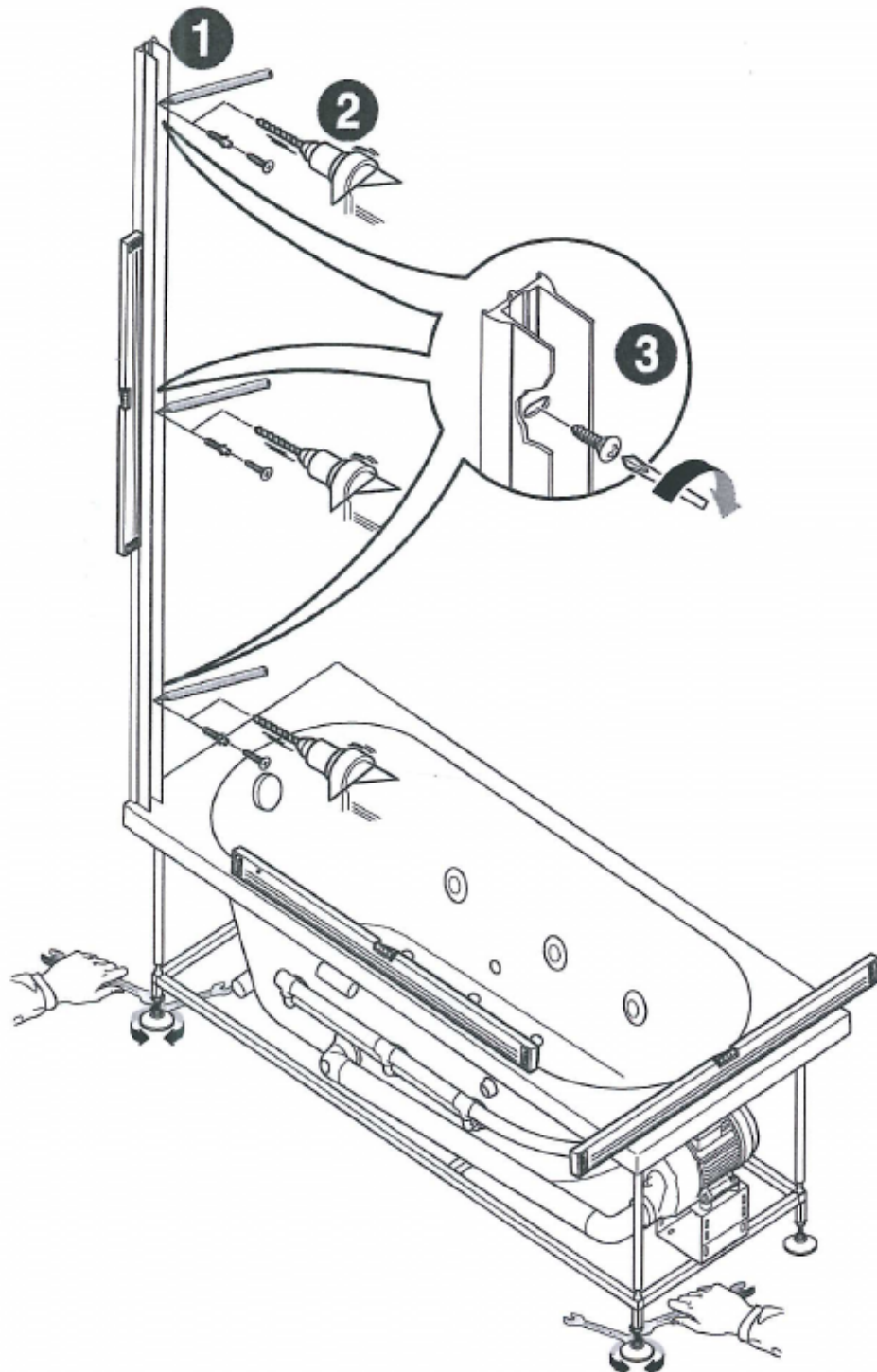
MONTERINGSANVISNING

DUSJVEGG 79/39x155



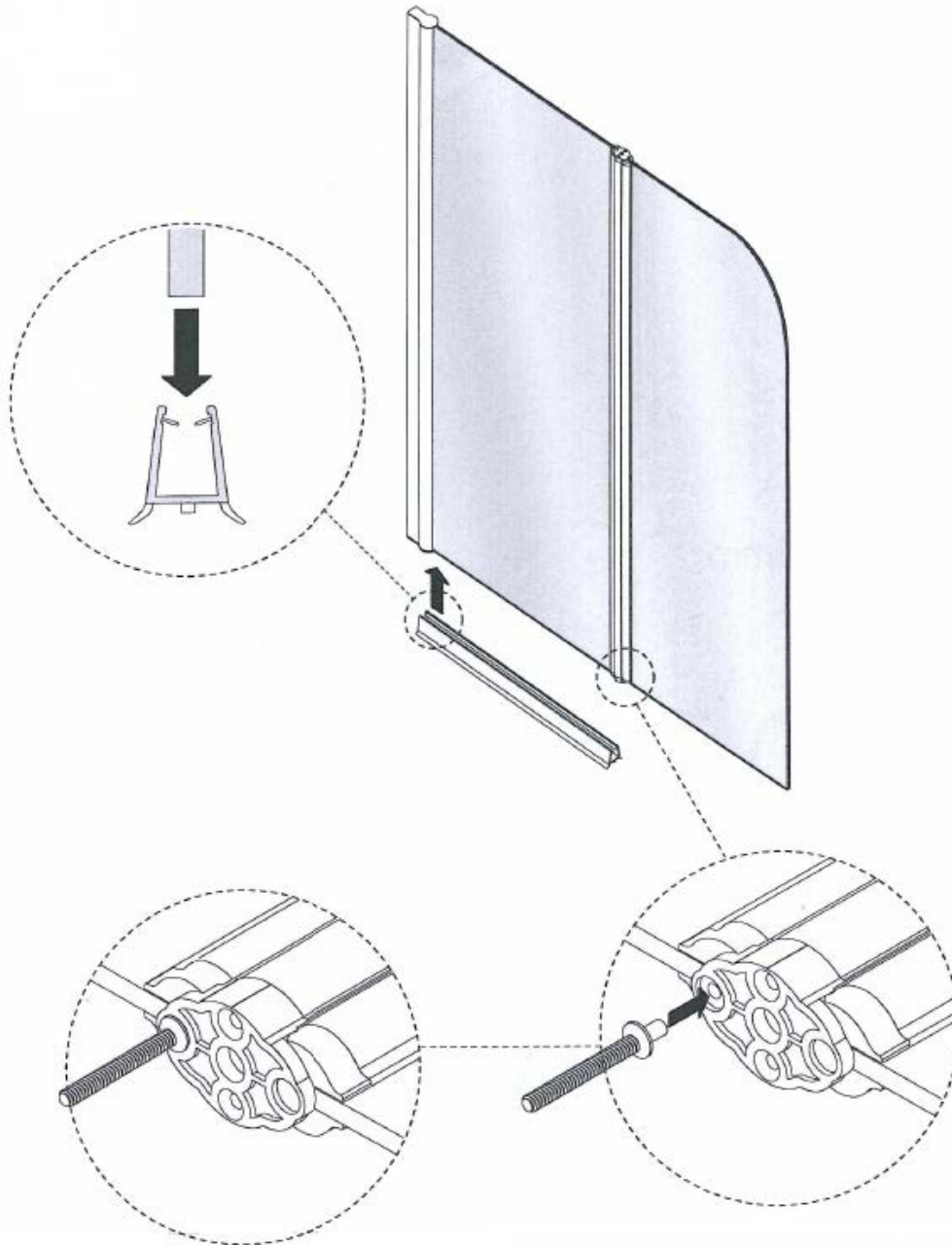
interform

STEG 1



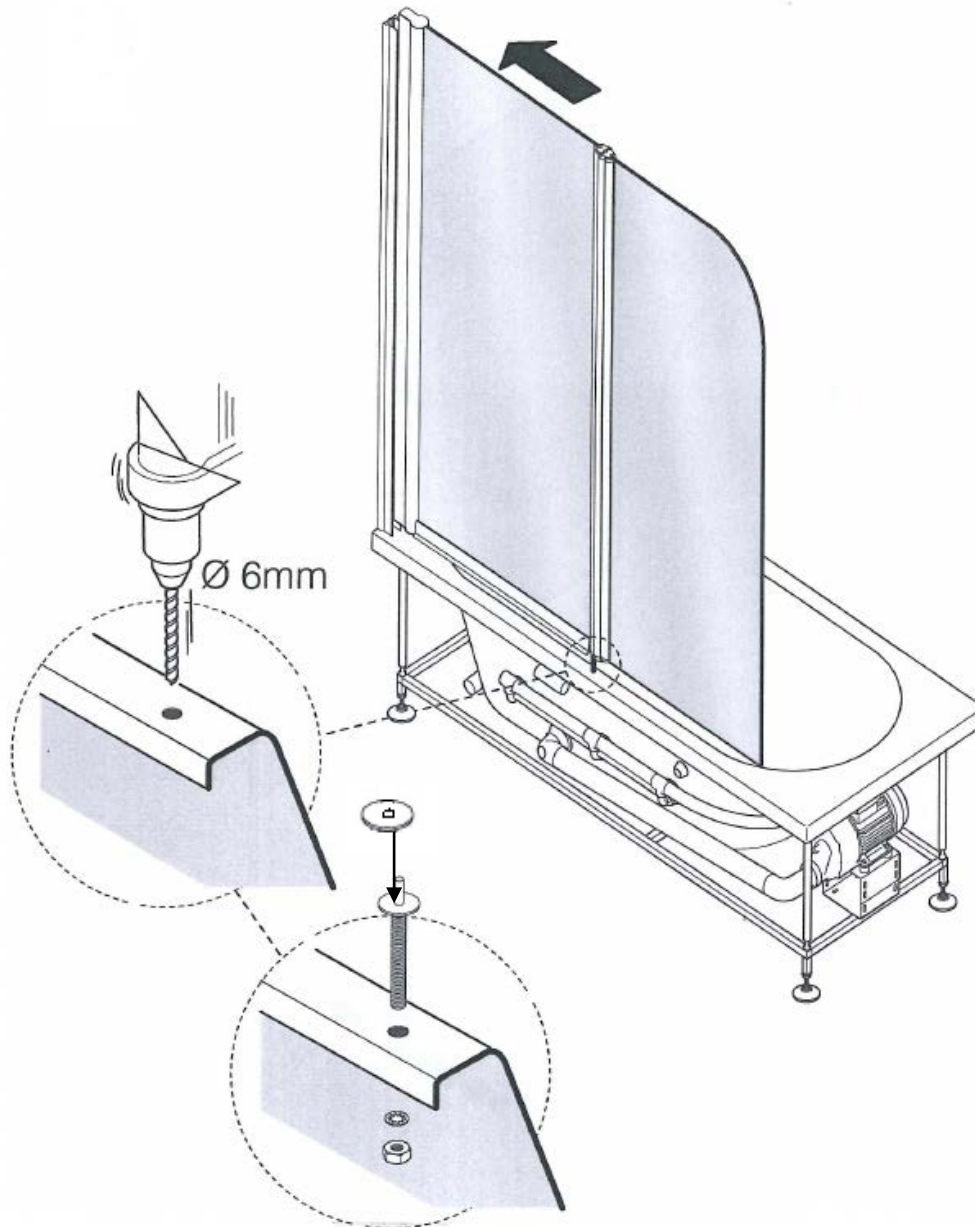
interform

STEG 2



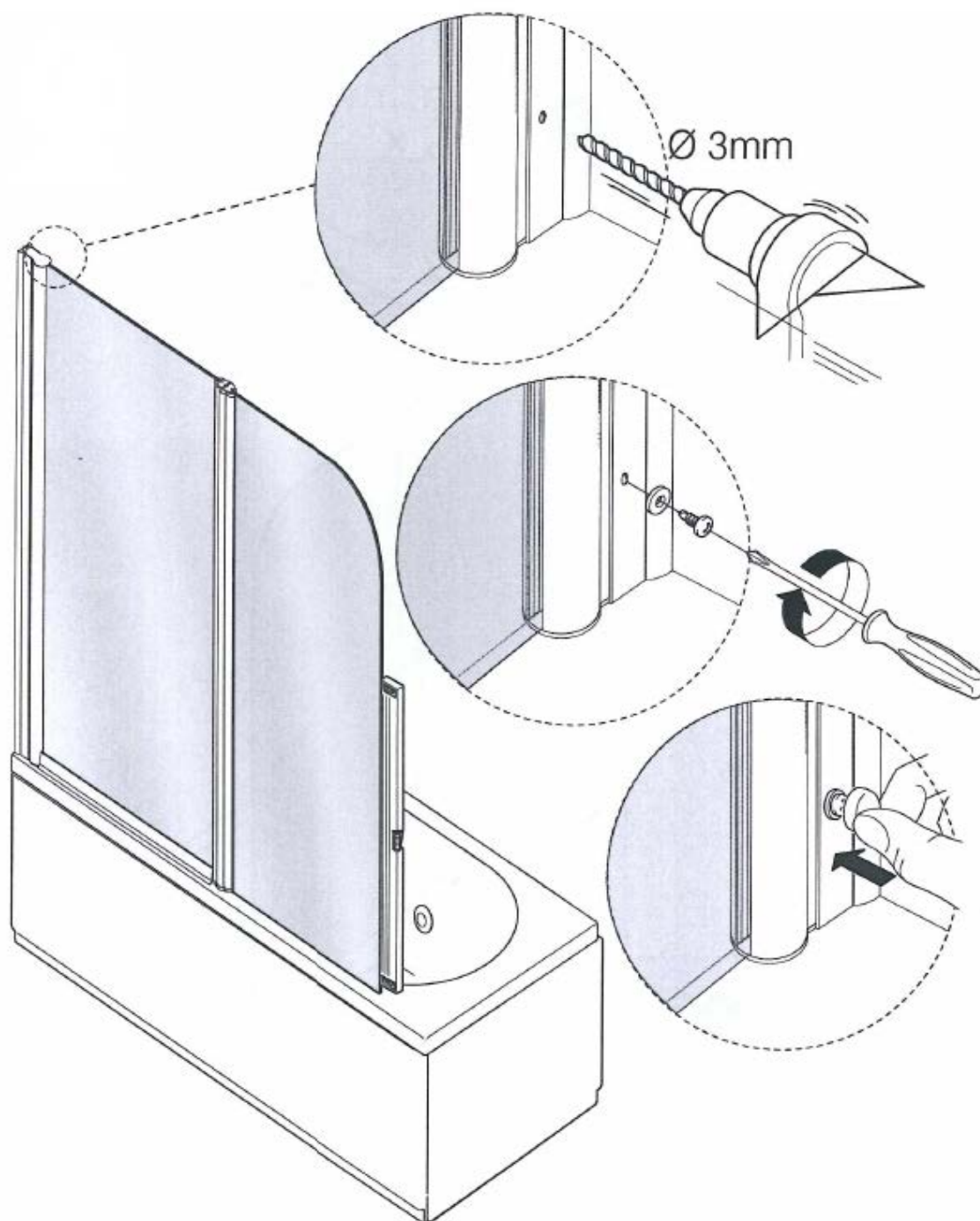
interform

STEG 3



STEG 4

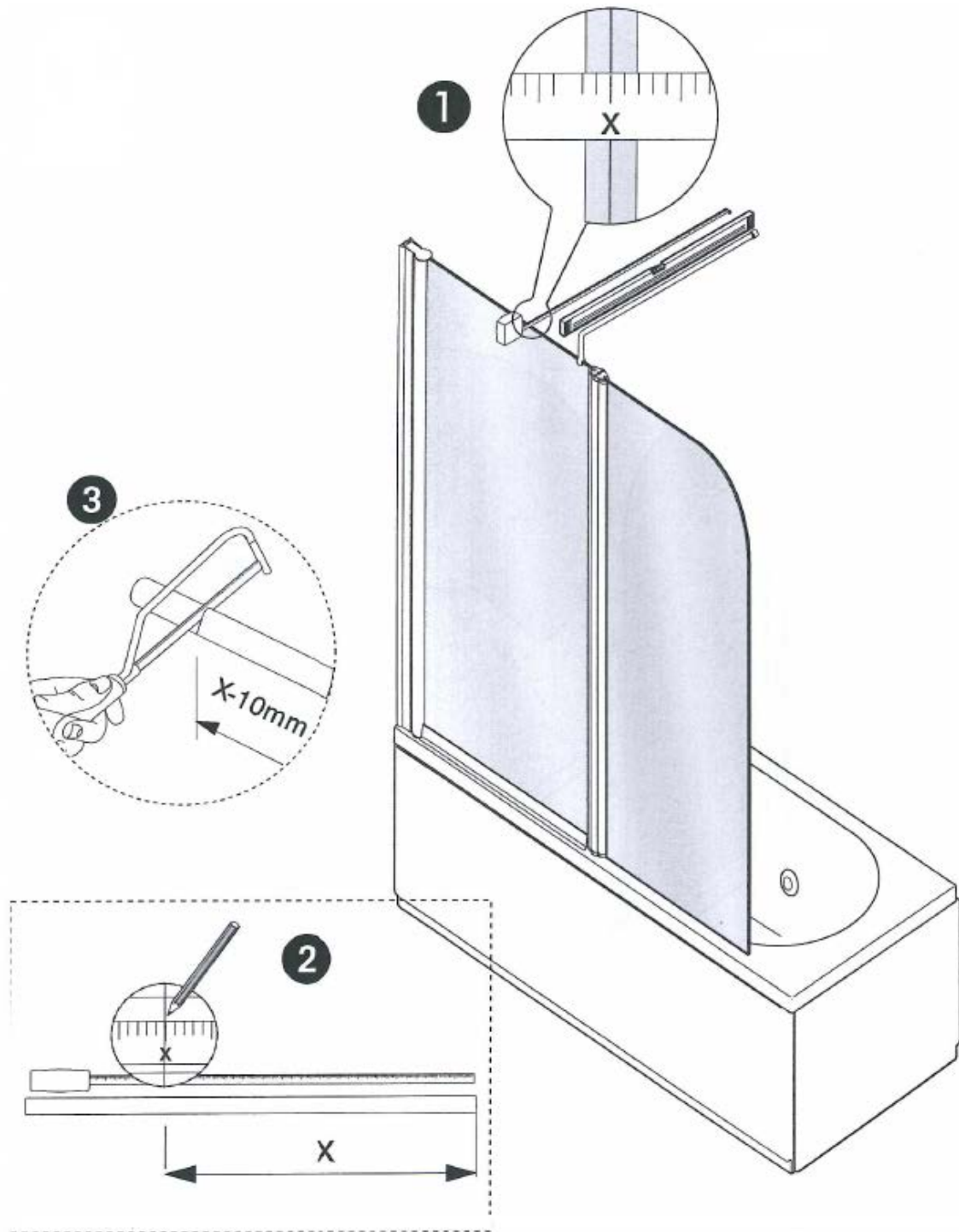
interform



STEG 5

Øysandvegen 237, 7224 Melhus, Tlf 73 82 53 20
post@interform.no www.interform.no

interform



STEG 6

interform

